

# Omega



Suitable for Domestic Environments

Where Steam & Vacuum is required

Stainless Steel Body, Stainless Steel Boiler

Continuous Fill Boiler allowing refill with no reheat time

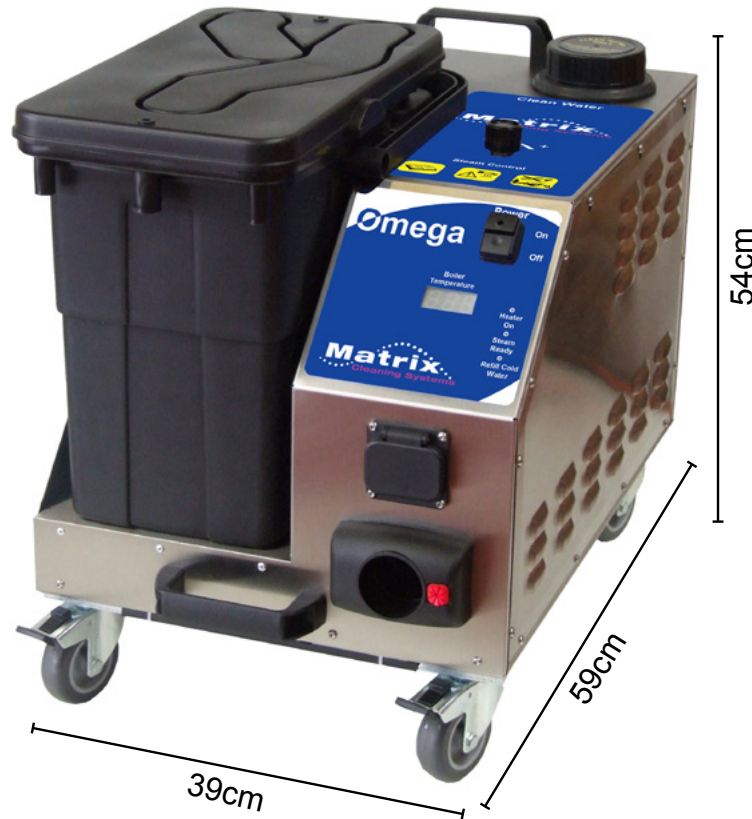
4.5 Bar Pressure

Compact and Lightweight

Steam Regulator to Control the Volume of Steam

Integral Vacuum System

Full Steam & Vacuum tool kit in a accessory bag as standard



Depth with handle & basket: 84cm

## Functions

Steam Pressure (bar)	4.5
Vacuum	Yes
Detergent	No

## Capacities (Litres)

Water Tank	2.5
Boiler	1.8
Vacuum Tank	12

## Power

Vacuum Motor (W)	850
Supply Voltage (V)	240
Boiler (W)	1950
Nominal Input Power (W)	2950
Power Cable Length (M)	10

## Controls

Main Power Switch
Manual Steam Valve

## Weight

23 Kilo

# Data Sheet

# Omega

# Matrix

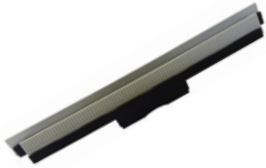
Cleaning Systems

## Included Accessories




2.5 Metre  
Steam &  
Vac Hose

15RM00001



300mm  
Squeegee  
Insert

15RM00006



Brass Brush  
Pack of 10  
x3 supplied as  
standard

15RM00020



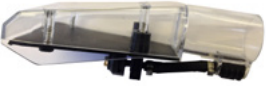
150mm Steam  
& Vacuum  
Squeegee Insert

15RM00042



Extension Tubes  
x 2 supplied with  
each machine

15RM00003



Upholstery  
Tool

15RM00013



150mm Steam  
& Vacuum  
Nozzle

15RM00040



Crevice Tool

15RM00043



300mm  
Floor Nozzle

15RM00004



Nylon Brush  
Pack of 10  
x3 supplied as  
standard

15RM00019



150mm Steam  
& Vacuum  
Brush Insert

15RM00041



Short Steam  
Lance

15RM00051